

SN-1

OPERATING MANUAL

Small Size Signal Phone

Thank you for purchasing Q.Light product. Please read this manual carefully before installing this product for safe and long use.

1 Product Feature

- High durability with strong steel housing.
- Low-price, small-size siren SN-1 which has 1 warning sound built-in and is in exclusive DC voltage use.(custom-made)
- Standard Body Color: Red
- Material: Body-Steel Housing
- Volume(Max): 95dB/m
- Protection Class: IP55
- Operating Temperature: -20°C~50°C

2 Specification & External View Drawing

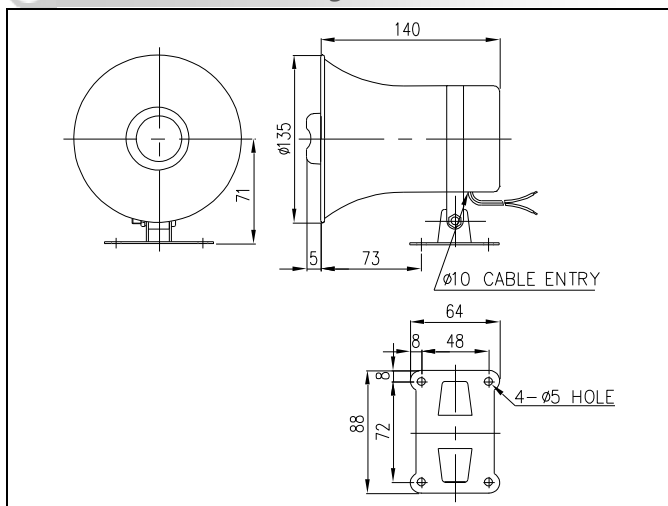
General Specification

Model	Main Built-in Sounds	DB(Max)	Voltage	Current	Weight	
SN-1	WS	1 Warning Sound	95dB	DC12V	0.170A	0.88Kg
				DC24V	0.220A	0.88Kg

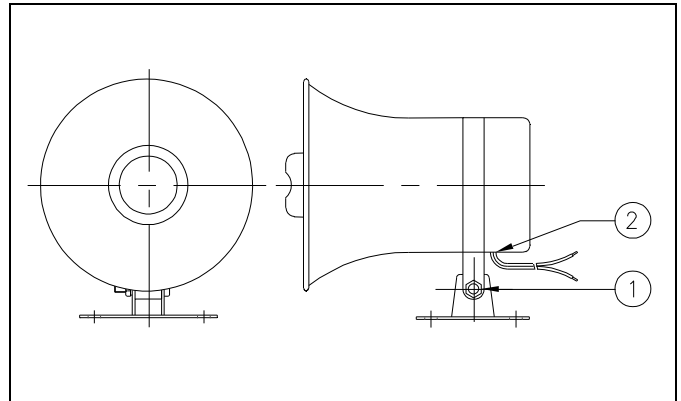
Sound Tone Combination of Standard Product

Main Built-in Sounds	CH	Sound Tone	DB(Max)
WS	1 Warning Sound	Emergency WA-U Sound	110dB

3 External View Drawing



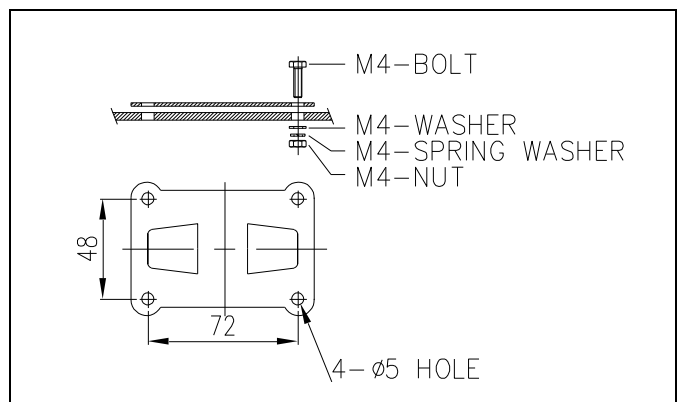
4 Product Structure



5 Wiring Instruction

- Power line UL1015-NO.18(0.75sq) X 2C 400mm comes out from the product.
- This is DC Exclusive Use Product.
- In case of product using DC voltage, black line is negative(-).
- Power cable entry② is equipped with cable connector. Keep airtightness between cable and cable connector by tightening cable connector.

6 Mounting



- This product is manufactured for outdoor use. Mount at the place where exists low moisture and low dust as long as possible.
- Refer to below information and drill necessary mounting holes on profitable part of the product. (Make sure PCD from external view drawing.)
- Fix the product by using extra mounting bolt(M8-2EA).

7 Adjustment of Horn Housing Angle

If the angle of horn housing(angle of signal transmission) needs adjustment, loose the bracket fixing bolt① on side of body and adjust the angle. (Refer to structure drawing)

8 Caution

- This is designed for explosion proof and water proof/dust proof product. **When releasing the product for checking, connecting etc, must keep airtight by making sure bolts.**
- If using voltage is seriously higher or lower than rated voltage, it can reduce the self-life of the product or can cause a problem on product operating. Make sure the using voltage does not exceed +/-5% of the rated voltage.
- If lens or body of the product is contaminated by chemicals such as thinner, benzene, the product can be damaged, discolored or deformed. Please be careful.

9 Trouble shooting

Situation	Main reason	Solution
Sound Tone Deterioration or Volume Decreasing	Supplying Voltage Lower Than Rated Voltage	Making Sure Using Voltage
Too high sound tone than the standard	Supplying Voltage Higher than Rated Voltage	Making Sure Using Voltage
No sound	Problem with Horn	Contact Q.Light or Their Agent
	Wrong Wiring	Making Sure Wiring
	No Power Supply	Making Sure Power Supply

— For A/S & Information on Product

Q-LIGHT CO., LTD.

<http://www.qlightkr.com>

E-mail : qlightkr@qlightkr.com

Overseas Marketing Team /Plant

Tel) 055-328-4082 Fax) 055-328-4083

178-1 Woogye-Ri, Sangdong-Myun, Kimhae-Si,
KyungNam, Korea